



CKH 系列 Series

【特点与功能】

Features and Functions

- 全不锈钢材质, 轻巧耐用
Total stainless steel, lightweight and durable
- 瞬间连接并密封管口, 省时省力
Transiently connect and seal port, easy application
- 可根据客户管口凸缘形式, 定制产品
Customized according to the flanged port of customer
- 封堵压力高, 可达3.5MPa
High sealing pressure, up to 3.5MPa

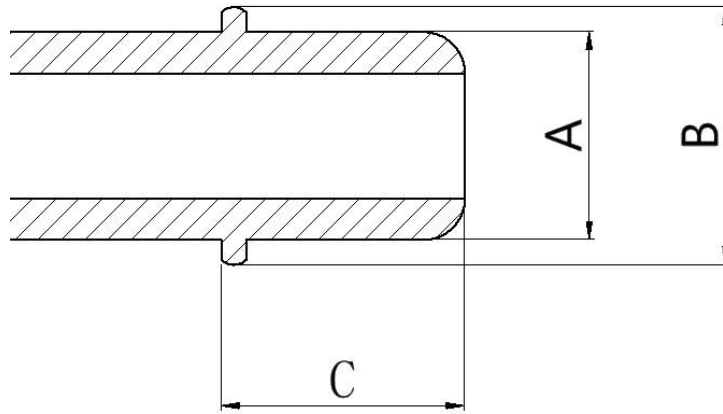
CKH系列卡爪式快速封堵头主要用于各种凸缘管件外壁的封堵连接。采用滑套卡爪设计, 可瞬间连接凸缘管口, 操作简单, 可靠耐用。

CKH series collet quick sealing connectors mainly used to sealing and connecting of all kinds of flanged port by extruding outwall. The design of sliding sleeve collets realizes transient connection, easy operation and highly durable.



CKH-A①-②③

A型成型管，油轨凸缘接口 A shaped pipe,oil rail flanged port



A型管 A shaped pipe		封堵对象参数表 (mm) Sealed object parameter table (mm)			
外形尺寸 Outline dimensions	封堵范围 Sealing range	管定义 pipe definition	封套直径 (A) enclose diameter (A)	凸缘直径(B) Flange diameter(B)	长度 (C) Length (C)
①	②				
21	046	3/16",4.78±0.08	4.63±0.06	7.10±0.15	19.93±0.25
22	060	1/4",6.35±0.08	6.30±0.06	8.75±0.15	20.91±0.25
24	080	5/16",8mm, 7.94±0.08	7.89±0.06	10.98±0.15	21.12±0.25
25	095	3/8",9.53±0.08	9.49±0.06	12.94±0.21	21.12±0.25
26	099	10mm±0.08	9.89±0.06	13.42±0.21	24.74±0.25
27	110	7/16",11.11±0.10	11.05±0.10	14.80±0.25	26.62±0.50
28	118	12mm±0.10	11.80±0.10	16.51±0.25	26.62±0.50
29	126	1/2",12.70±0.10	12.61±0.10	16.51±0.25	26.62±0.50
30	159	5/8",15.88±0.10	15.82±0.10	19.18±0.25	26.62±0.50
31	189	3/4",19.05±0.10	18.90±0.10	22.33±0.25	26.62±0.50
32	227	7/8",22.23±0.15	22.70±0.15	25.7±0.5	29.50±0.50
33	255	1",25.40±0.15	25.50±0.15	28.2±0.5	29.50±0.50
34	284	1 1/8",28.58±0.15	28.42±0.15	32.3±0.5	42.50±0.50

③流体接口

Fluid port

基础型号-外形尺寸-封堵范围 Basic model-Outline dimensions-Sealing range	③流体接口 Fluid port	
CKH - A① - ②	N	无流体接口 Without fluid port
	P	带流体接口 With fluid port

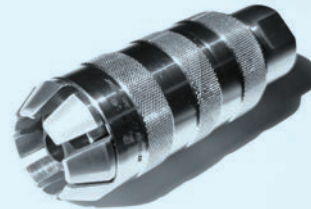


CKH-A型

油轨接头专用 (符合标准: SAE J2044-2009的燃油管路接头)

CKH-A:

Dedicated for oil rail port (comply standard: SAE J2044-2009 Quick Connector Specification For Liquid Fuel And Vapor/ Emissions Systems)



CKH-B型

其他各类凸缘管路定制

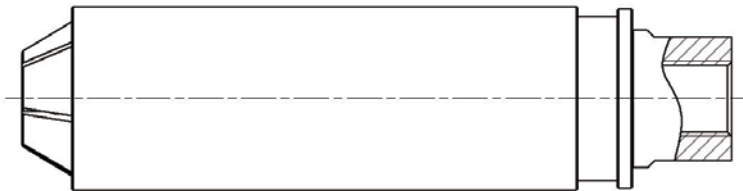
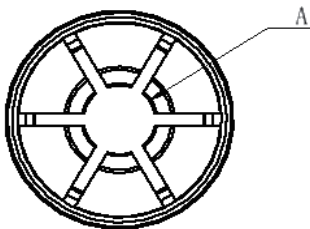
CKH-B:

Other kinds of flanged port customized

CKH-B①-②③

B型成型管 (各类外壁光滑带凸缘的管路, 连接器根据管路特性定制)

B type shaped pipe (on all kinds of flanged pipes with smooth outwall, connector customized according to the pipe feature)



B型管 B shaped pipe		外形尺寸 (mm) Outline dimensions (mm)
外形尺寸 Outline dimensions	封堵范围 Sealing range	
①	②	封套直径 (A) enclose diameter (A)
B01	根据封堵样件 尺寸来确定 confirm according to Dimensions of sealing samples	≤8.2
B02		8.3 - 11.0
B03		11.0 - 15.0
B04		15.1 - 20.0
B05		20.1 - 24.9
B06		24.9 - 30.0
B07		30.0 - 36.1
B08		36.1 - 42.0
B09		42.0 - 47.0
B10		47.0 - 51.9

③流体接口

Fluid port

基础型号-外形尺寸-封堵范围 Basic model-Outline dimensions-Sealing range	③流体接口 Fluid port	
CKH - B① - ②	N	无流体接口 Without fluid port
	P	带流体接口 With fluid port

备注: 1. 封堵范围在临界时, 推荐选择下一档 (封堵范围较大) 的产品。
If the sealing range is critical, the next one is recommended (the sealing range is larger).

2. 如有其它技术要求, 请与我公司联系。
Please contact us if you have any technical requirements.

典型应用
Typical application

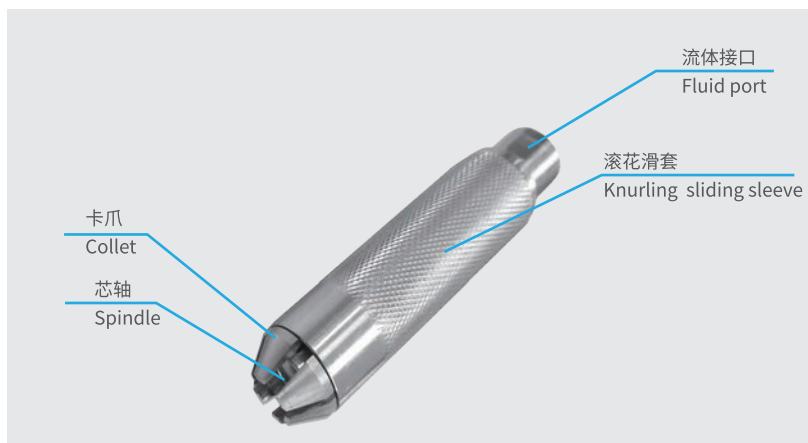


油轨封堵
Oil rail sealing



不同类型的管口
Different kinds of pipes

- 发动机 Engine
- 燃油分配器 Fuel distributor
- 散热器 Radiator
- 空调管路 Air-conditioning pipe
- 家用电器 Household electric appliances

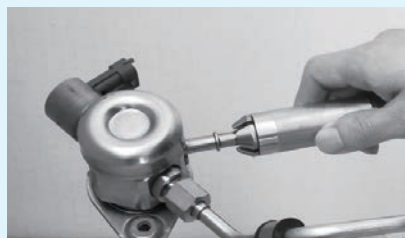


规格
Specifications

封堵压力 Sealing Pressure	-0.1~3.5 MPa
封堵对象 Sealing Object	带有凸缘的光滑外管壁 Smooth pipe outwall with flange
使用温度 Operation Temperature	-5 ~ 80°C
密封材质 Sealing Material	丁腈橡胶 (特殊材质可接受订做) Nitrile rubber (other materials can be customized)
本体材质 Body Material	不锈钢 Stainless steel



1. 手持封堵头滑套, 卡爪对准工件管口
Handhold sealing connectors sliding sleeve, collets aimed at port.



2. 向前推动封堵头, 工件管口顶住芯轴, 卡爪自动弹开抱紧凸缘, 封堵完成
Push forward sealing connectors, workpiece port against spindle, collets flick automatically to hold the flange, sealing finished.

主要产品 ● 气密检漏仪 ● 数字压力表 ● 流量计 ● 自动压力、流量控制器 ● 密封性能检测专用设备

BOYIE | 天津博益气动股份有限公司
TIANJIN BOYI PNEUMATICS CO., LTD.

公司·工厂: 天津开发区泰丰路80号 邮编: 300457
电话: (86)22-59810966 传真: (86)22-59810963
营销中心: 北京市丰台区角门18号名流未来大厦801-805室 邮编: 100068
电话: (86)10-87582461 传真: (86)10-87582462
网址: www.boyiqd.com 邮箱: sales@boyiqd.com

公司在深圳、顺德、杭州、上海、苏州、长沙、武汉、重庆、西安、青岛、沈阳设有分支机构。



代理经销商

C-BY-0000CKH-X-07
Printed in China